

Features

- Tunnel Luminance measurement reliable and accurate under both outdoor and indoor conditions.
- The 4-20 mA loop output signal is supplied by the same power cable
- Easy to install and orientate.



Applications

- Tunnel Lighting Control

Description

The tunnel luminancemeter LUM420 measure surface luminance over 20° (cd/m2) and convert into a current loop signal.

The 4-20 mA output signal is supplied by the same power cable, providing an easy wiring installation.

This tunnel luminance meter employs a silicon light receptor filtered to provide a spectral response close to that of the average human eye and offers an stable and long term behaviour.

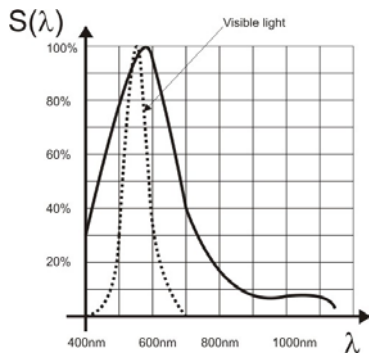
High degree of protection for outdoor installations and robust construcion in stainless-steel.

Tunnel Luminancemeter Technical specifications

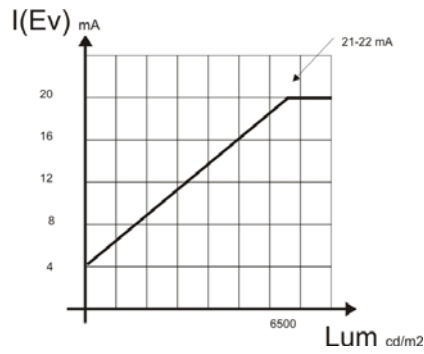
Parameters

Power supply	12- 30 Vdc (± 10%)
Output Signal	4- 20 mA
Luminance range	0-6500 cd/m2
Angular field	20°
Linearity	<2%
Accuracy	<± 5% FS
Spectral Sensitivity	Max. at 570 nm
Degree of protection	IP67
Exterior material	Stainless-Steel
Working temperature	-30° - +60°
Working humidity	30%-80% without condensation
Conexion	2 m. wire

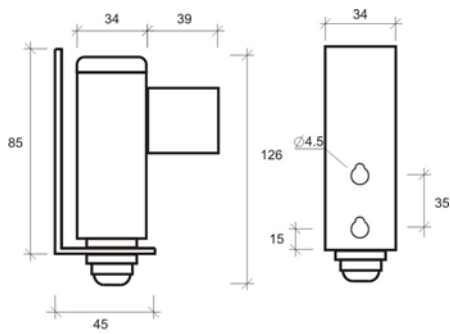
Sensitivity



Output



Dimensions



All dimensions in millimeters

Conexion

