

### Features

- Ambient light illumination measurement reliable and accurate in both external and internal conditions
- The 4-20 mA loop output signal is supplied by the same power cable
- Easy to install and orientate.
- Luxmeter with different illumination range selectable in the same device



### Applications

- Indoor buildings lighting Control.
- Blinds control.
- Supermarkets lighting control.

### Description

The outdoor luxmeter LUX420S1 measures illuminance (lux) of ambient light and converts it into a signal current loop. The output signal of 4-20 mA of this illumination meter is provided by the same power supply cable, providing easy installation cabling.

It is based on a photo-sensor Yes, that offers a sensitivity close to visible light, and behavior estable.

The different measuring ranges are easily selected via microswitches.

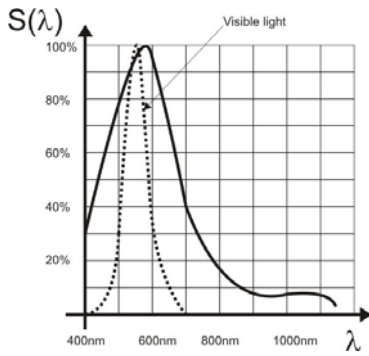
Also offers high degree of protection for exterior and solid steel construction steel.

### Outdoor Luxmeter Technical Specifications.

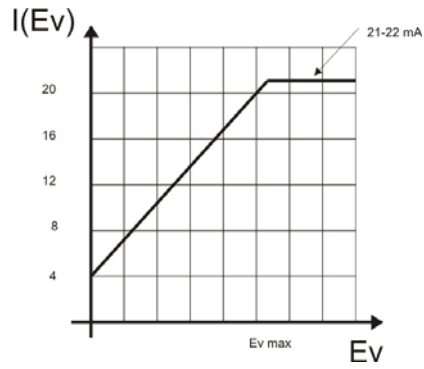
#### Parameters

Power supply	12- 30 Vdc ( ± 10% )
Output signal	4- 20 mA
Illuminance Range	Selectable range , 0-100 lux, 0-250 lux, 0-500 lux, 0-750 lux, 0-1000 lux, 0-2000 lux, 0-4000 lux
Linearity	<1%
Accuracy	<± 5% FS (0-100 lux), <± 5% FS (0-250 lux), <± 5% FS (0-500 lux), <± 5% FS (0-750 lux), <± 5% FS (0-1000 lux), <± 5% FS (0-2000 lux) , <± 5% FS (0-4000lux)
Spectral Sensitivity	Max. at 570 nm
Degree of protection	IP67
Exterior material	Stainless Steel
Working temperature	-30° - +60°
Working humidity	30%-80% without condensation
Conexion	2 m. cable

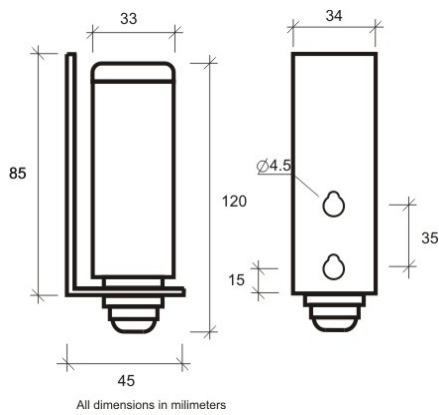
## Sensitivity



## Output



## Dimensions



## Conexion

