

### Features

- Ambient light illumination measurement reliable and accurate in both external and internal conditions
- The 4-20 mA loop output signal is supplied by the same power cable
- Easy to install and orientate.
- Luxmeter with different illumination range selectables in the same device

### Applications

- Indoor buildings lighting Control.
- Blinds control.
- Supermarkets lighting control.



### Description

The indoor luxmeter LUX420S2 measures illuminance (lux) of ambient light and converts it into a signal current loop. The output signal of 4-20 mA of this illumination meter is provided by the same power supply cable, providing easy installation cabling.

It is based on a photo-sensor Yes, that offers a sensitivity close to visible light, and behavior estable.

The different measuring ranges are easily selected via microswitches.

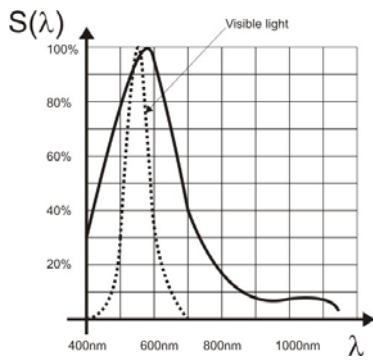
Also offers high degree of protection for exterior and solid steel construction steel.

### Indoor Luxmeter Technical Specifications.

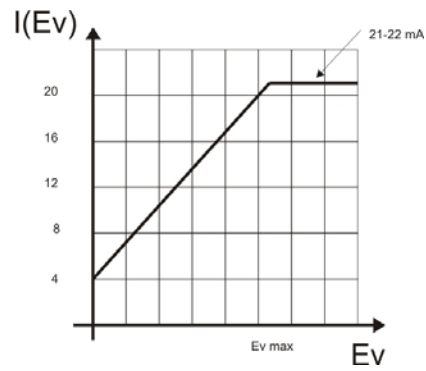
#### Parameters

Power supply	12- 30 Vdc ( ± 10% )
Output signal	4- 20 mA
Illuminance Range	Selectable range , 0-1000 lux, 0-2500 lux, 0-5000 lux, 0-10000 lux, 0-30000 lux, 0-50000 lux, 0-100000 lux
Linearity	<1%
Accuracy	<± 5% FS (0-1000 lux), <± 5% FS (0-2500 lux), <± 5% FS (0-5000 lux), <± 5% FS (0-10000 lux), <± 5% FS (0-30000 lux), <± 5% FS (0-50000 lux) , <± 5% FS (0-100000 lux)
Spectral Sensitivity	Max. at 570 nm
Degree of protection	IP67
Exterior material	Stainless Steel
Working temperature	-30° - +60°
Working humidity	30%-80% without condensation
Conexion	2 m. cable

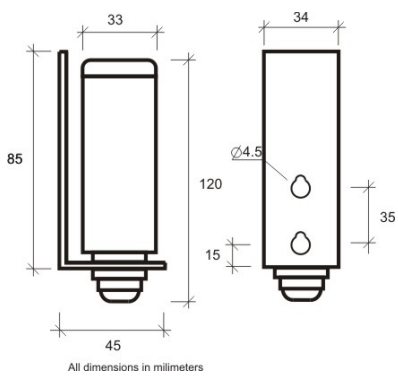
## Sensitivity



## Output



## Dimensions



## Conexion

