

Characteristics

- Crepuscular switch for outdoor
- 100-220 Vac power supply
- Easy installation and orientation
- Different threshold ranges and selectable delay times in a single device
- Solid stainless steel construction. IP67 degree of protection



Applications

- Control of public lighting

Description

The twilight outdoor switch LUR-S1 controls outdoor lighting on and off as night and day. It is based on a Si photo sensor, which offers sensitivity close to visible light, and stable behavior through its selectable thresholds and delay times.

It has internal relay and does not need additional accessories. The different measurement ranges are easily selected through configurable microswitches inside.

It has high degree of protection (IP64) for exteriors and solid construction in stainless steel.

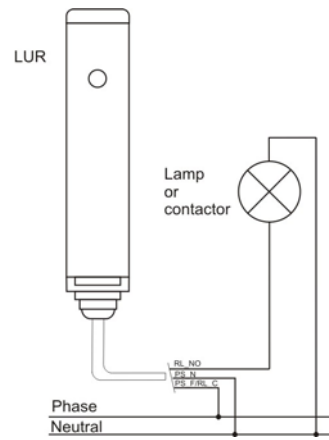
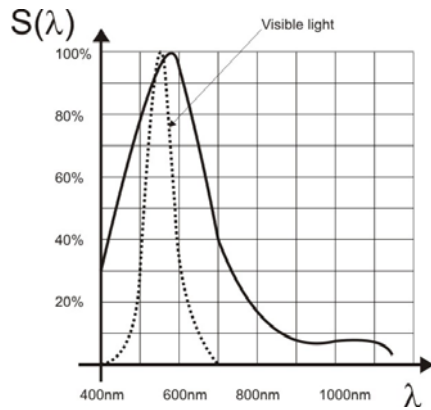
Technical specifications

Parameters

Power supply	100-240 Vac , 50-60Hz
Output signal	NO Relay
Relay contact	16A / 250V
Selectable lighting threshold	5 ,10, 15 and 25 lux
Hysteresis	10% of the selected range
Selectable switching on timing range	5, 10, 30 and 60 s
Selectable switching off timing range	5, 10, 30 and 60 s
Spectral sensitivity	Max. at 570 nm (ambiental lighting)
Degree of protection	IP67
Exterior housing	Stainless steel
Operating temperature	-30° - +60°
Operating humidity	30%-80% without condensation
Conexion	Internal terminal for 3-wire cable connection

Sensitivity

Conexion



Dimensions

